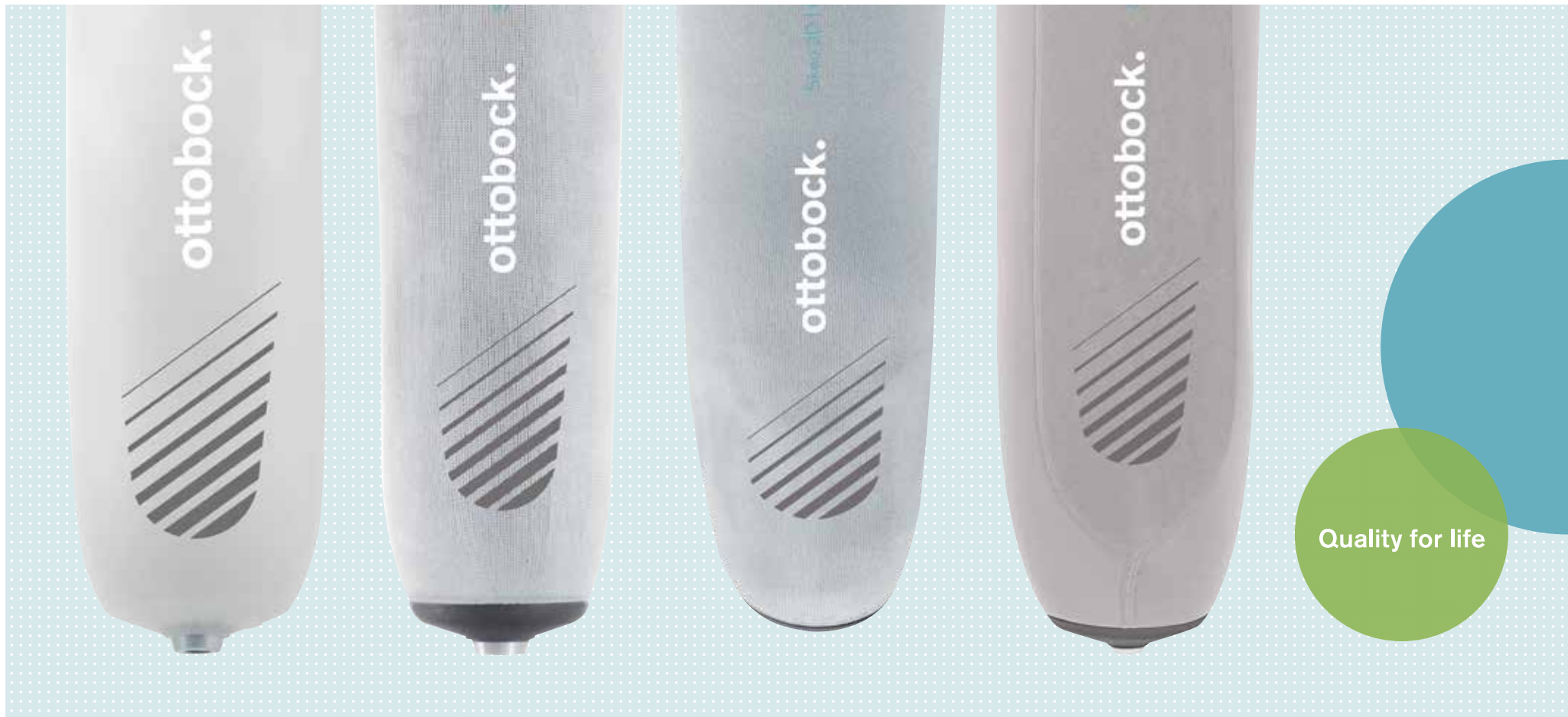


**ottobock.**

# Skeo<sup>®</sup> Liner Family

An entire line of innovative fitting solutions



# Innovative fitting solutions









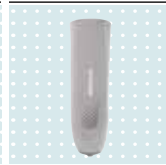
Skeo silicone liners provide the ideal foundation your patients need to lead more active lives. Choose from several innovative fitting solutions, including:

- ▶ **Skeo Pure** a transparent liner that makes it easy to monitor fit and skin condition
- ▶ **Skeo Skinguard®** with antibacterial properties that improve hygiene and promote healthy skin
- ▶ **Skeo 3D** comes closer to the human anatomy for unmatched wearing comfort and fit

Skeo liners are easy to fit and manage, with a unique textured surface and advanced features that create a superior connection with the skin. All are designed to support extended, comfortable wear for your patients throughout varying conditions.



# Skeo Product Line

										
	6Y41 Skeo Pure	6Y42 Skeo	6Y43 Skeo Pure	6Y70 Skeo	6Y75 Skeo Skinguard	6Y77 Skeo 3D	6Y80 Skeo	6Y85 Skeo Skinguard	6Y87 Skeo 3D	
Category	firm silicone in combination with soft tissue stability					soft silicone in combination with soft tissue stability				
Amputation Level										
Transtibial	•	•	•	•	•	•				
Transfemoral							•	•	•	
Suspension Method										
Locking		•	•	•	•	•	•	•	•	
KISS Lanyard							•	•	•	
Skeo Characteristics										
Textured inner surface creates a comfortable, smooth connection with the skin	•	•	•	•	•	•	•	•	•	
Distal stabilizing matrix eliminates longitudinal stretching and pistoning		•	•	•	•	•				
Full-length stabilizing matrix eliminates longitudinal stretching and pistoning							•	•	•	
Proprietary textile cover promotes easier donning and doffing		•		•	•	•	•	•	•	
Silky smooth outside coating makes the liner easy to don and doff, easy to clean and quick to dry	•		•							
Product Highlights										
Transparent silicone material for monitoring fit and skin condition	•		•							
Anatomy-specific geometry that comes as close as possible to the residual limb's natural shape						•			•	
Antibacterial particles embedded in the liner material controls odor caused by bacteria for improved hygiene control					•			•		

# Skeo

Superior connections start here

Ottobock's tried and tested silicone liners have long impressed users with their combination of comfort and stability.

## Benefits

- Textured inner surface is gentle on the skin when donning and doffing and when bending the knee
- Integrated stabilizing matrix creates a more comfortable distal connection by minimizing pistoning (longitudinal stretching) without restricting radial stretching around the residual limb
- The special textile cover facilitates donning and doffing of the liner



gentle inner surface



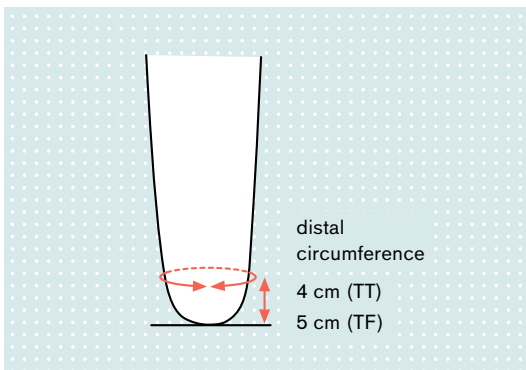
easy handling





## Ordering information for Skeo

Article no.	6Y42	6Y70	6Y80
<b>Amputation Level</b>	transtibial (TT)	transtibial (TT)	transfemoral (TF)
<b>Silicone</b>	firm silicone in combination with soft tissue stability	soft silicone in combination with soft tissue stability	soft silicone in combination with soft tissue stability
<b>Distal attachment</b>	with	with	with
<b>Outside cover</b>	with	with	with
<b>Socket design</b>	specific weight bearing socket	specific weight bearing socket	specific weight bearing socket
<b>Matrix</b>	10 cm length	10 cm length	full-length matrix
<b>Wall thickness</b>			
<b>Sizes</b> (see distal circumference)	180 mm, 200 mm, 210 mm, 220 mm, 235 mm, 250 mm, 265 mm, 280 mm, 300 mm, 320 mm, 340 mm, 360 mm, 380 mm, 400 mm, 420 mm, 450 mm	160 mm, 180 mm, 200 mm, 210 mm, 220 mm, 235 mm, 250 mm, 265 mm, 280 mm, 300 mm, 320 mm, 340 mm, 360 mm, 380 mm, 400 mm	280 mm, 300 mm, 320 mm, 340 mm, 360 mm, 380 mm, 400 mm, 420 mm, 450 mm, 500 mm, 550 mm



**i** Measure the circumference of the residual limb at 4 cm (TT) or 5 cm (TF) from the distal end and choose the liner size, as measured or if between sizes choose the closest size below measurement.

# Skeo Pure

The difference is clear

The Skeo Pure liner is made of a transparent silicone material. This allows for a visual check of the fit and the skin's appearance, making it an ideal solution for interim fittings.

## Benefits

- Special outside coating makes the liner easy to don and doff, easy to clean and quick to dry
- Textured inner surface is gentle on the skin when donning and doffing and when bending the knee
- Integrated stabilizing matrix (6Y43) creates a more comfortable distal connection by minimizing pistoning (longitudinal stretching) without restricting radial stretching around the residual limb
- The liner dries quickly, making it ideal for use in waterproof prostheses
- Easy to cut or trim for a better fit



gentle inner surface



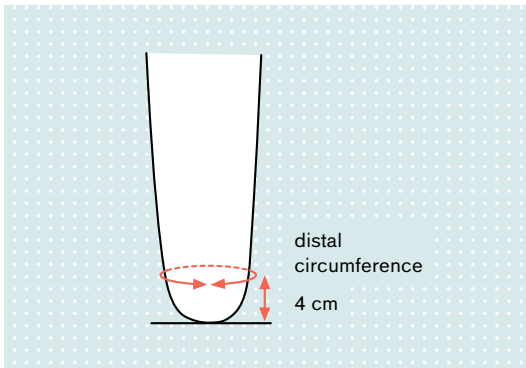
easy handling





## Ordering information for Skeo Pure

Article number	6Y43	6Y41=*	6Y41=*-6
<b>Amputation level</b>	transtibial (TT)		transtibial (TT)
<b>Silicone</b>	More rigid silicone and stabilization of soft tissue		More rigid silicone and stabilization of soft tissue
<b>Distal attachment</b>	With	Without	
<b>Textile cover</b>	Without		Without
<b>Socket design</b>	specific weight-bearing socket	total surface weight-bearing socket	
<b>Matrix</b>	10 cm length	Without	
<b>Wall thickness</b>			
<b>Sizes</b> (see distal circumference)	120 mm, 140 mm, 160 mm, 180 mm, 200 mm, 210 mm, 220 mm, 235 mm, 250 mm, 265 mm, 280 mm, 300 mm, 320 mm, 340 mm, 360 mm, 380 mm, 400 mm, 420 mm, 450 mm	160 mm, 180 mm, 200 mm, 220 mm, 235 mm, 250 mm, 265 mm, 280 mm, 300 mm, 320 mm, 340 mm, 360 mm, 400 mm	
<b>Order example</b>	6Y43=250	6Y41=200-6	



**i** Measure the circumference of the residual limb at 4 cm from the distal end and choose the liner size, as measured or if between sizes choose the closest size below measurement.

# Skeo Skinguard

The only antibacterial silicone liner

Skeo Skinguard liners feature a comfortable, soft silicone material, in addition to an antibacterial additive that users will appreciate.

## Benefits

- The antibacterial particles prevent bacteria from multiplying and protect the silicone material
- Controls odor caused by bacteria for improved hygiene
- In accordance with the specifications of the JIS Z 2801 standard, an independent laboratory proved that the antibacterial additive causes a reduction up to 99.9% in bacteria colonies of Staphylococcus aureus (gram-positive) and Escherichia coli (gram-negative)
- The antibacterial additive does not disrupt the natural skin flora
- Custom liners available to fit limbs outside the common size range
- The special textile cover facilitates donning and doffing of the liner



gentle inner surface



antibacterial effect



easy handling

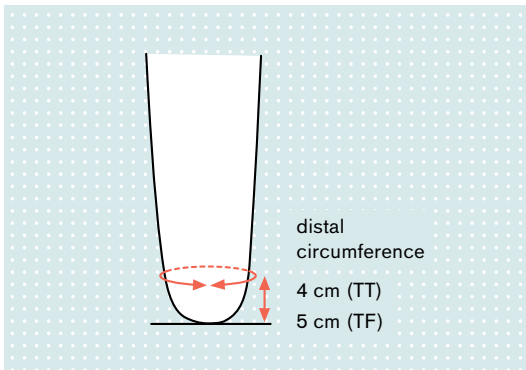






# Ordering information for Skeo Skinguard

Article no.	6Y75	6Y85
<b>Amputation Level</b>	transtibial (TT)	transfemoral (TF)
<b>Silicone</b>	soft silicone in combination with soft tissue stability	soft silicone in combination with soft tissue stability
<b>Distal attachment</b>	with	with
<b>Outside cover</b>	with	with
<b>Socket design</b>	specific weight bearing socket	specific weight bearing socket
<b>Matrix</b>	10 cm length	full-length matrix
<b>Wall thickness</b>		
<b>Sizes</b> (see distal circumference)	<b>160 mm, 180 mm, 200 mm, 210 mm, 220 mm, 235 mm, 250 mm, 265 mm, 280 mm, 300 mm, 320 mm, 340 mm, 360 mm, 380 mm, 400 mm</b>	<b>280 mm, 300 mm, 320 mm, 340 mm, 360 mm, 380 mm, 400 mm, 420 mm, 450 mm, 500 mm, 550 mm</b>



**i** **6Y75**  
Measure the circumference of the residual limb at 4 cm from the distal end and choose the liner size, as measured or if between sizes choose the closest size below measurement.

**i** **6Y85**  
Measure the circumference of the residual limb at 5 cm from the distal end and choose the liner size, as measured or if between sizes choose the closest size below measurement.

# Skeo 3D (TT)

A new dimension for fit and comfort

The anatomy of the lower leg served as the starting point for the development of the Skeo 3D liner. The result is a pre-flexed liner with varying wall thicknesses.

Additional material protects sensitive areas of the residual limb against pressure and impacts, while knee flexion is facilitated by a thinner layer of material in the hollow of the knee. This makes the liner comfortable to wear. The Skeo 3D for the lower leg is also made of particularly soft silicone.

## Benefits Skeo 3D transtibial liners

- Material is thicker in sensitive areas to provide protection and thinner in other areas for greater flexibility
- Preflexed (20 degrees) at the knee
- Less material in the hollow of the knee reduces the formation of wrinkles that can cause uncomfortable pressure points
- The special textile cover facilitates donning and doffing of the liner



gentle inner surface



anatomical fit



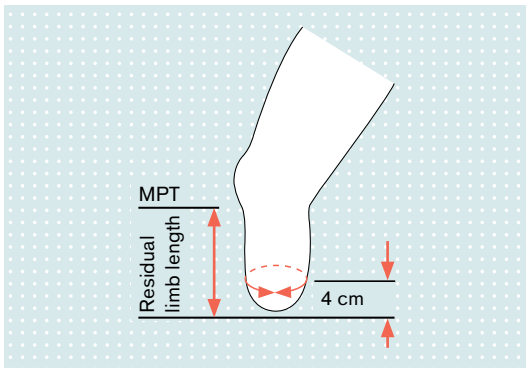
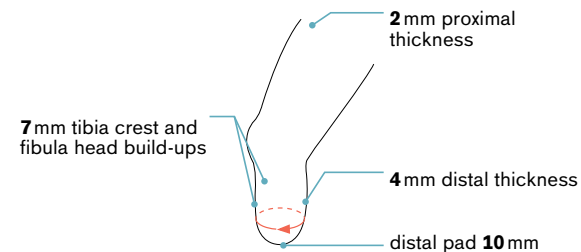
easy handling





## Ordering information for Skeo 3D (TT)

<b>Article no.</b>	<b>6Y77</b>
<b>Amputation Level</b>	transtibial (TT)
<b>Silicone</b>	soft silicone in combination with soft tissue stability
<b>Distal attachment</b>	with
<b>Outside cover</b>	with
<b>Socket design</b>	specific weight bearing socket
<b>Matrix</b>	depending on the residual limb length
<b>Wall thickness</b>	



**i** Two measurements are needed to determine the correct size of the 6Y77 Skeo 3D liner:

- 1 Measure the length from MPT to the end of the residual limb to determine residual limb length.
- 2 Measure the circumference 4 cm (1 ½") above end of the residual limb to determine residual limb circumference.

Sizes	75 mm	125 mm	175 mm
Limb Circumference 40 mm above distal end	(50–100 mm)	(100–150 mm)	(150–200 mm)
180 mm (185–205 mm)		●	
200 mm (205–225 mm)		●	
220 mm (225–245 mm)		●	●
235 mm (240–260 mm)		●	●
250 mm (255–275 mm)		●	●
265 mm (270–290 mm)	●	●	●
280 mm (285–305 mm)		●	●
300 mm (305–325 mm)			●
320 mm (325–345 mm)			●

# Skeo 3D (TF)

A new dimension for fit and comfort

With its innovative shape, the Skeo 3D for transfemoral amputees gives improved fit for tapered limb shapes.

A transfemoral residual limb typically exhibits an especially large amount of soft tissue. With this in mind, the Skeo 3D is designed to taper at the distal end. The tapered shape softly cushions the tissues, rather than constricting and pushing them upwards. Meanwhile, the upper section of the liner is cylindrical in shape, thereby supporting the residual limb from all sides. A drop-shaped textile inlay on the outside of the liner serves as a visual and tactile positioning aid and can be used to attach the KISS Lanyard.

## Benefits Skeo 3D transfemoral liners

- Conical shape in the distal area encloses and protects sensitive soft tissues
- Cylindrical shape provides a better and tighter connection in the proximal area
- The special textile cover facilitates donning and doffing of the liner
- Special textile area for simple attachment of the KISS Lanyard velcro



gentle inner surface



anatomical fit

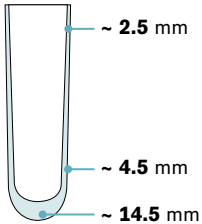


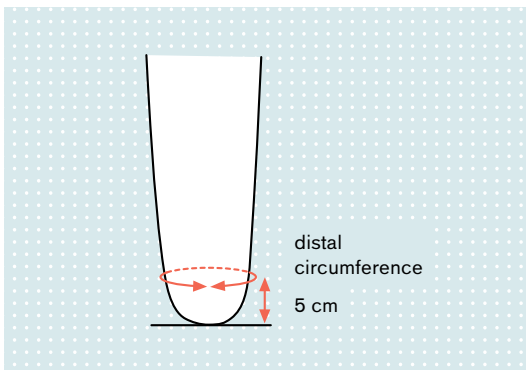
easy handling





## Ordering information for Skeo 3D (TF)

<b>Article no.</b>	<b>6Y87</b>
<b>Amputation Level</b>	transfemoral (TF)
<b>Silicone</b>	soft silicone in combination with soft tissue stability
<b>Distal attachment</b>	with
<b>Outside cover</b>	with
<b>Socket design</b>	specific weight bearing socket
<b>Matrix</b>	full-length
<b>Wall thickness</b>	
<b>Sizes</b>	<p>Limb Circumference 40 mm above distal end</p> <p><b>280 mm, 300 mm, 320 mm, 340 mm, 360 mm, 380 mm, 400 mm, 450 mm</b></p>



**i** Measure the circumference of the residual limb at 5 cm from the distal end and choose the liner size, as measured or if between sizes choose the closest size below measurement.

# MagnoFlex Lock (TT/TF)

## An easy connection

The MagnoFlex Lock features a flexible, magnetic pin, making it easier to guide the liner to the prosthesis for a precise connection.

### Advantages

- The flexible pin and magnet integrated in the lock, allows the user to put on the prosthesis faster and easier than has been possible with traditional pins or shuttle locks.
- Low weight coupled with durability due to the use of a high-performance synthetic material/polyamide
- The fitting can be changed to a valve-vacuum system quickly and easily by means of a valve that was developed for the MagnoFlex Lock
- 1-step fabrication: quick and straightforward integration in the prosthesis
- The MagnoFlex Lock can be used in a trial or final socket

Weight category up to 275 lbs (125 kg)

Article no. 6A40



# KISS lanyard (TF)

Two is better than one

With a pull-in system, the user pulls the socket onto his/her residual limb manually with the help of a strap. Our KISS Lanyard significantly reduces both rotation and pistoning within the socket – this makes it a fantastic solution for transfemoral prostheses.

## Advantages

- Rotation and piston control due to the **distal and proximal** connection of the prosthesis socket and the liner
- A wide pull-in strap makes the system easier to use in a sitting position
- The proximal strap can be attached to the liner using hook-and-loop, and it can also be removed in this way at any time and without any difficulty (for a simple cleaning and quick donning of the liner)

## Area of application

- 4R160=1: It is used for contracted residual limbs or unusual residual limb positions. A socket adapter will be necessary.
- 4R160=2: It is used for residual limb positions approximately equivalent to the alignment reference line

Weight category up to 330 lbs (150 kg)

Article no. 4R160=2



